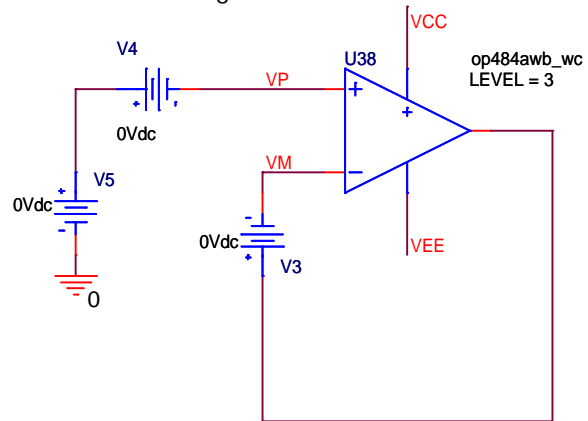


Input Bias Offset
 Input Offset Current
 Offset Voltage



Title		
OP484NOM_TEST		
Size	Document Number	Rev
A	<Doc>	<RevCo
Date:	Monday, February 14, 2005	Sheet 1 of 1