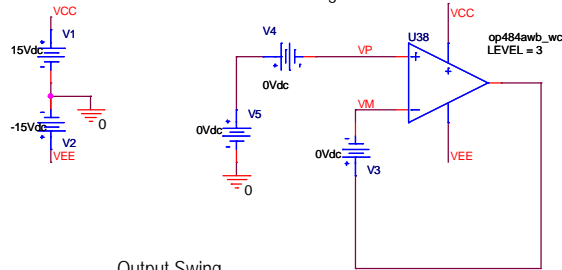
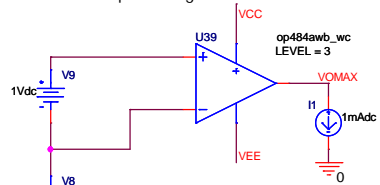


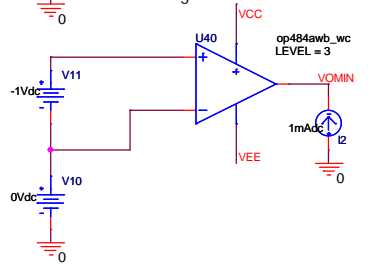
Input Bias Offset
 Input Offset Current
 Offset Voltage



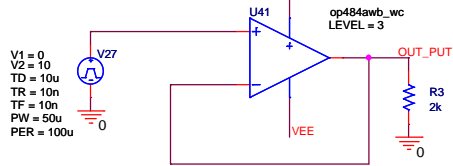
Output Swing



Offset Swing

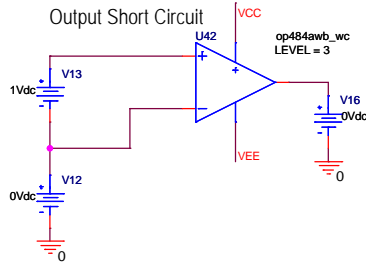


Slew Rate

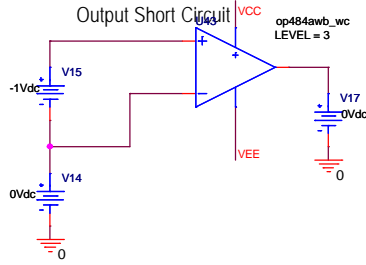


V1 = 0
 V2 = 10
 TD = 10u
 TR = 10n
 TF = 10n
 PW = 50u
 PER = 100u

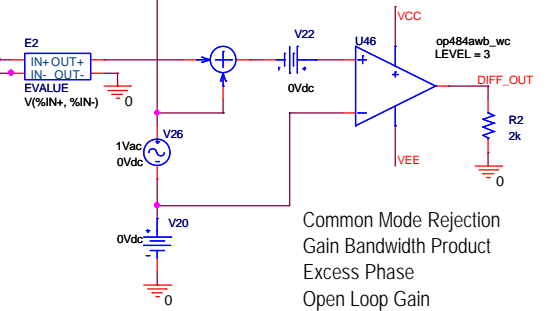
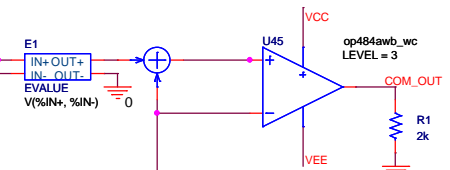
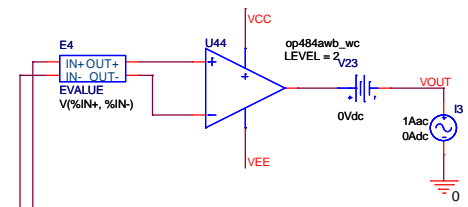
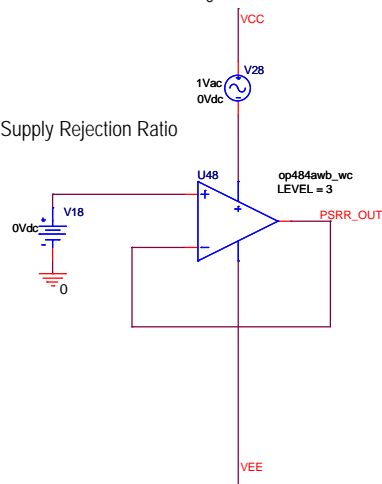
Output Short Circuit



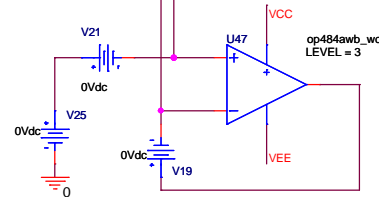
Output Short Circuit



Power Supply Rejection Ratio



Common Mode Rejection
 Gain Bandwidth Product
 Excess Phase
 Open Loop Gain



| | | |
|---------------|---------------------------|--------------|
| Title | | |
| OP484NOM_TEST | | |
| Size | Document Number | Rev |
| B | <Doc> | <RevC> |
| Date: | Monday, February 14, 2005 | Sheet 1 of 1 |